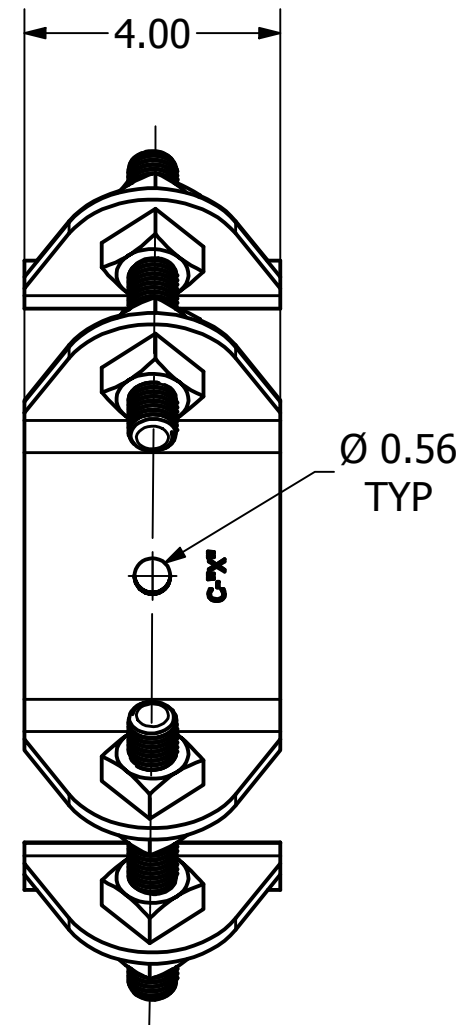
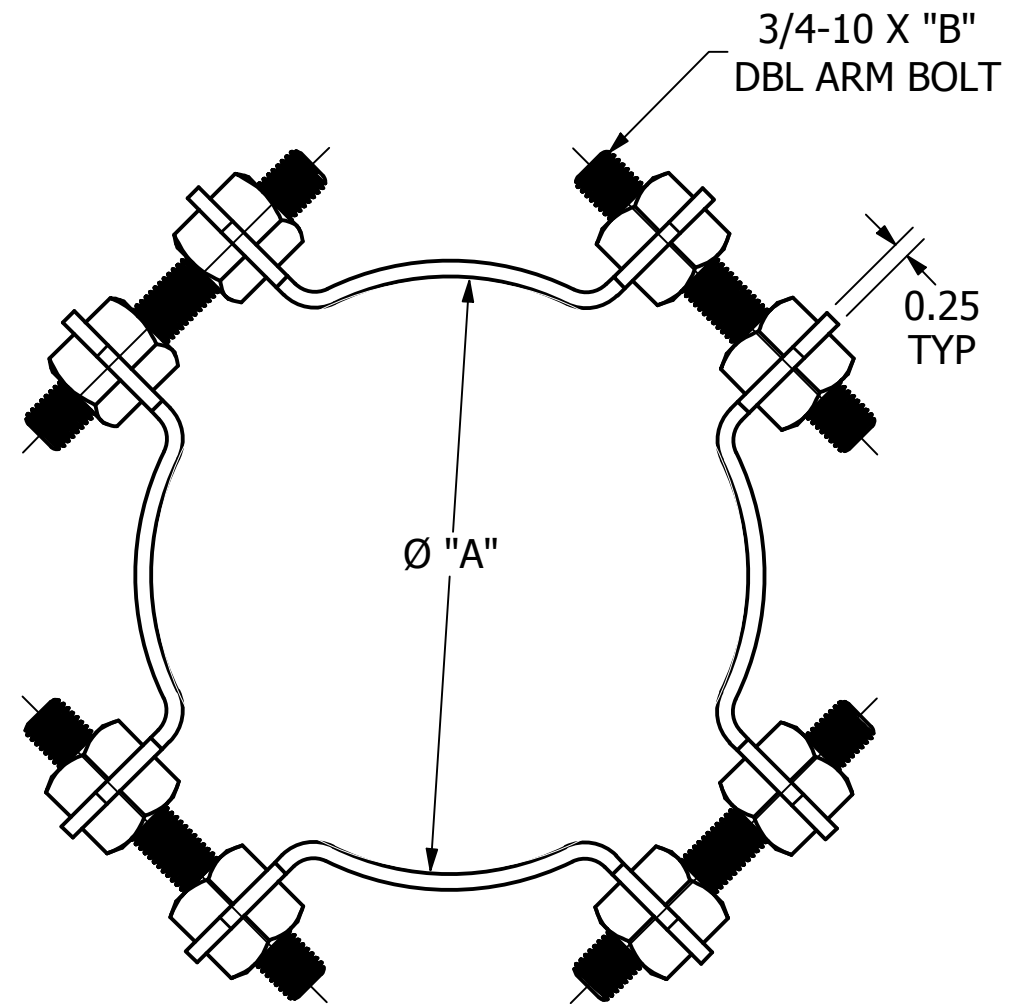
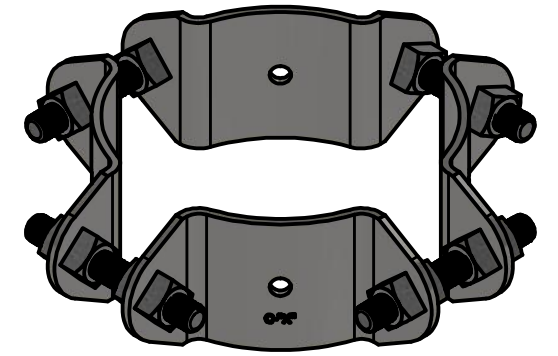


TENSION RATING WITH 45 OR 90 DEGREE GUY: 13,000 LBS



-NOTES-

1. MATERIAL: STEEL
2. FINISH: HOT DIP GALVANIZE PER ASTM A153 (LATEST REV).
3. CATALOG NUMBERS WITH A "USA" SUFFIX HAVE ALL COMPONENTS MELTED AND MANUFACTURED IN THE USA.

CATALOG NO.	USA PART NO.	"A"	"B"
C2030194	C2030194USA	6" TO 11.5"	6"
C2030197	C2030197USA	9.5" TO 14"	6"
C2030200		9.5" TO 16"	8"

<h2>CHANCE[®]</h2>	HUBBELL POWER SYSTEMS, INC.			
	POLE BAND ASSEMBLY			
CONFIDENTIAL: THIS DRAWING AND ITS CONTENTS ARE CONFIDENTIAL AND THE EXCLUSIVE PROPERTY OF HUBBELL POWER SYSTEMS. NO PUBLICATION, DISTRIBUTION, OR COPIES MAY BE MADE WITHOUT THE WRITTEN CONSENT OF HUBBELL POWER SYSTEMS. HUBBELL POWER SYSTEMS UNPUBLISHED ALL RIGHTS RESERVED UNDER THE COPYRIGHT LAWS.	SIZE B	CAT / PART / ASSY NO. SEE CHART	DWG NO. SA2030194	REV B
DO NOT SCALE THIS DRAWING	DRN BY TRH	DATE 4/30/2020	SHEET 1 OF 1	